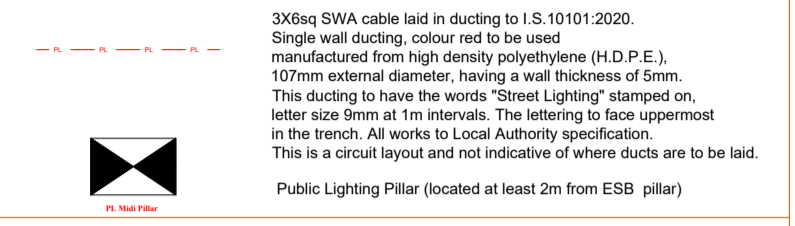


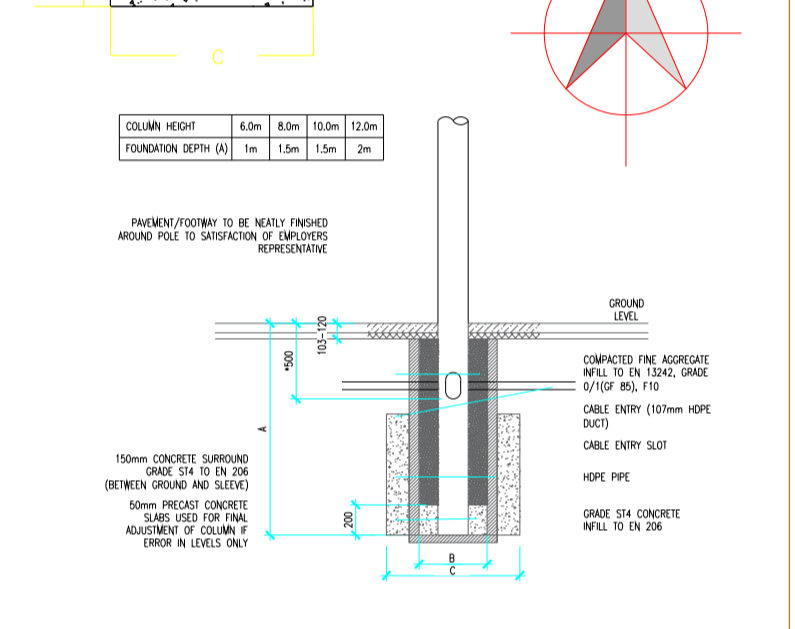
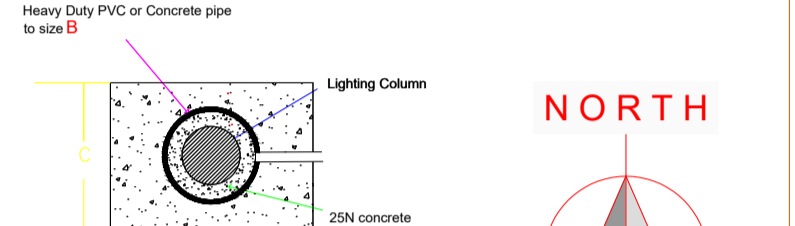


- Luminaires A AXIA 2.1 5165 Integrated lenses Rear louvers 16 LED Qty 51 5m mounting height, raise & lower column.
- Luminaires B 2695 SNN-1C1 Lamp 1 ST 250 33200 2000 E40 Existing HID luminaires estimated as 250 Watt HPS.
- Luminaires C AXIA 3.3 5267 Integrated lenses 64 LED@880mA Qty 5 12m mounting height
- Luminaires D AXIA 3.3 5267 Integrated lenses 64 LED@420mA WW 727 Qty 3 10m mounting height
- Luminaires E E950-28-R3P-727-C300-9W Lamp 727N Qty 64 5m mounting height, raise & lower column.
- Luminaires F E951-64-P4-G-727-W5-0400-36W Lamp 727SS Qty 15 5m mounting height
- Luminaires G E950-28-P4A-727-C350-10W Lamp 727N Qty 79 5m mounting height, raise & lower column.
- Luminaires H E950-28-A2A-727-C650-17W Lamp 727N Qty 9 5m mounting height, raise & lower column.



Typical Base detail, to be checked by site engineers.

COLUMN MOUNTING HEIGHT	12m	10m	8m	6m
COLUMN ROOT DEPTH	1.9m	1.7m	1.5m	1.0m
CABLE ENTRY DEPTH	0.3m	0.3m	0.3m	0.3m
ROOTING CONCRETE DEPTH				
COLUMN DOOR HEIGHT	1.5m	1.5m	1.5m	1.5m
COLUMN SLEEVE SIZE(mm) internal	450	400	400	300
EXCAVATION (width x length)	1000	800	600	400



NOTES
THIS DRAWING IS THE INTELLECTUAL PROPERTY OF Sabre LIGHTING DESIGN DEPT. AND IS COPYRIGHT © AND CAN NOT BE USED WITHOUT PRIOR CONSENT.

NO ACCOUNT IS TAKEN FOR THE BLOCKING EFFECT CAUSED BY BUILDINGS, TREES ETC. THE CALCULATION SHOWN BY THIS DRAWING ASSUMES THAT THE WHOLE AREA BEING CONSIDERED IS IN THE SAME PLANE, I.E. THERE ARE NO CHANGES IN GRADIENT OR ELEVATION.

This drawing layout is based on calculated lighting levels, produced by Sabre Electrical Services Ltd., using Lighting Reality software. Any alterations to the layout or luminaire type used for the lighting design calculations, will require a revised lighting design to be carried-out. A redesign may require approval from the Local Authority Public Lighting Dept. prior to any alterations/modifications being implemented on site.



ELECTRICAL SERVICES LTD.
Specialist Contractors
PUBLIC LIGHTING - FLOOD LIGHTING - SPORTS LIGHTING

UNIT 11, BELLVUE INDUSTRIAL ESTATE, FINGLAS, DUBLIN 11.
E-MAIL: graham@sabrelighting.ie PH: 01-811 0875

?	?	GS	CHK	-----
?	?	GS	CHK	-----
?	?	GS	CHK	-----
?	?	GS	CHK	-----
?	?	GS	CHK	-----
?	?	GS	CHK	-----
A	Updated site layout	AN	CHK	29-04-22
REV	DESCRIPTION	INTS	CHK'D	DATE

CLIENT/CUSTOMER
Gerard Gannon Properties

PROJECT
SHD Development Belcamp

TITLE
Public Lighting Layout

DRAWN	SCALE	DATE
A.N	1:1000 @A1	29-04-22
DRAWING NUMBER	ISSUE	
SES 05322-1	2	

BASE DRAWING NUMBER
1535 - PL - 100.dwg
DRAWING ORIGIN
Wilson Architecture

DO NOT SCALE FROM THIS DRAWING